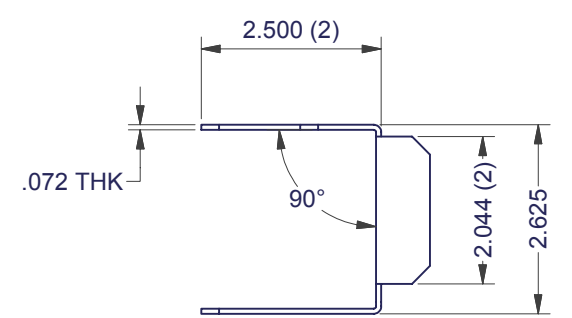
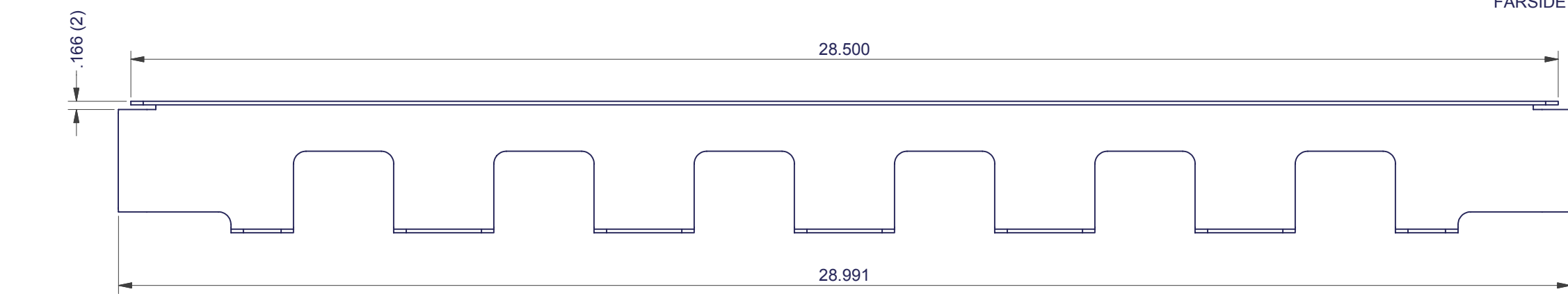
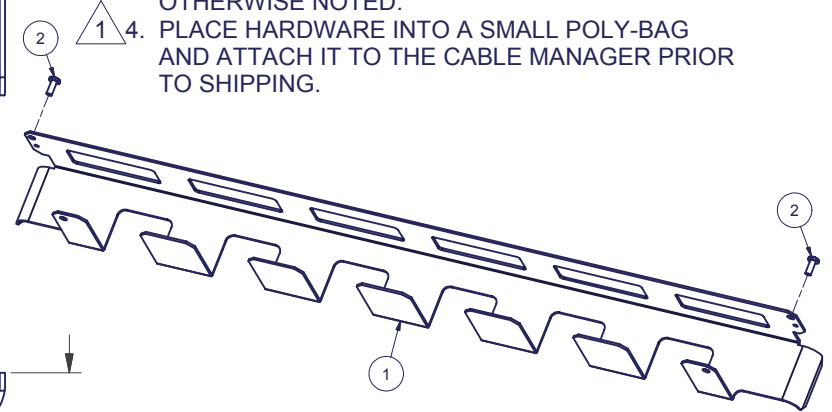
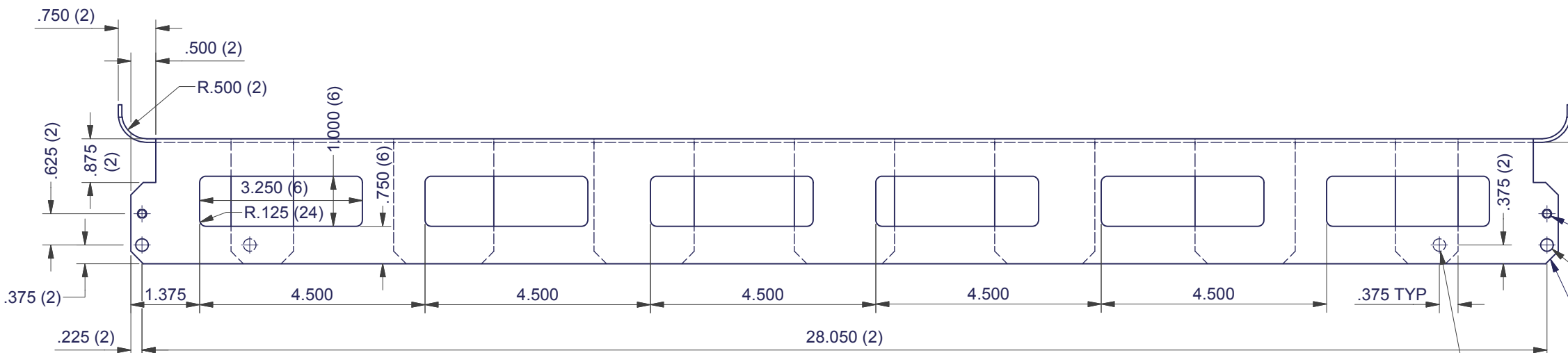
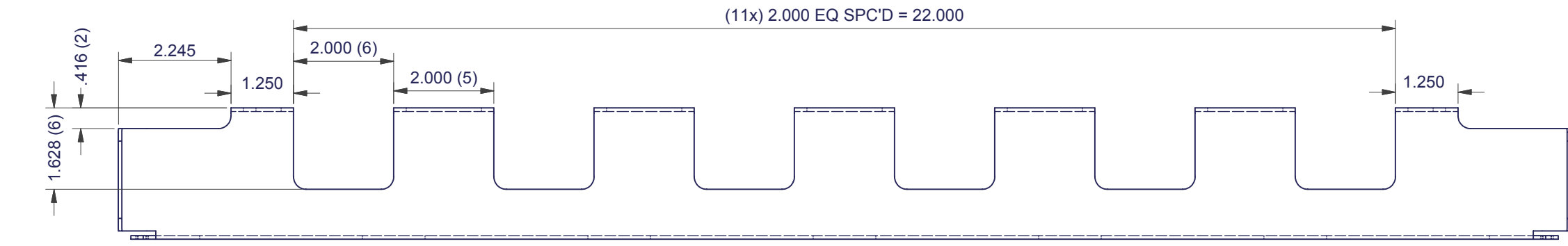


REVISION HISTORY			
REV	DESCRIPTION	DATE	APPROVED
0	ECO-02463	2/3/2009	FED
1	ECO-02756	1/15/2010	FED

Bill of Material						
ITEM	PART NUMBER	STOCK NUMBER	QTY	DESCRIPTION	FILE NAME	REVISION
1			1	HORIZONTAL CABLE MANAGEMENT FOR 36" DEEP - "E" SERIES.	I007836.ipt	1
2	H01-078	H01-078	2	SCREW, 10-32x1/2" PH PAN TYPE 23 BLACK OXIDE/WAX RoHS	SCR1032X500BLK.ipt	-

SPECIAL NOTES:

1. FINISH PER TD-09-103 (POWDER COAT), CLASS B, TEXTURE LEVEL 3; ALL SURFACES UNLESS OTHERWISE NOTED.
2. DIMENSIONS APPLY BEFORE APPLICATION OF FINISH: ADD .005" TO EACH SURFACE FOR INSPECTION.
3. TYPICAL BEND = R0.030" x 90° INSIDE UNLESS OTHERWISE NOTED.
4. PLACE HARDWARE INTO A SMALL POLY-BAG AND ATTACH IT TO THE CABLE MANAGER PRIOR TO SHIPPING.



INTERPRET DRAWING PER ASME Y14.5M-1994
 DIMENSIONAL LIMITS APPLY
 AFTER APPLICATION OF FINISH
 DRAWING NOT TO SCALE
 TOLERANCE UNLESS OTHERWISE NOTED:
 ANGULAR +/- .1°
 .XXXX +/- .010
 .XXX +/- .015
 .XX +/- .030
 .X FOR REF. ONLY
 UNLESS OTHERWISE SPECIFIED
 ALL DIMENSIONS ARE IN INCHES

NOTICE:
 Use of this document is subject to a confidentiality and nondisclosure agreement with Black Box and may not be reproduced, disclosed or utilized in whole or in part without prior written authorization from Black Box.

PART NUMBER: **ECFB100**
 QTY PER UNIT: 1
 MATERIAL TYPE: CRS
 MATERIAL GAUGE:
 FINISH: SEE NOTES
 DRAWN CD DATE 12/13/2007
 CHECKED & APP. WSS DATE 2/3/2009

TITLE: **FRONT TO BACK CABLE MANAGEMENT FOR 100cmD BB Cabinets**
BLACK BOX
 NETWORK SERVICES
 1000 PARK DRIVE, LAWRENCE, PA 15055
 PHONE (724) 746-5500
 E-MAIL info@blackbox.com
 DWG NO: **I007836**
 REV: **1**
 SHEET: 1 OF 1

