

QUICK START GUIDE

LBH3050A, LBH3080A

INDUSTRIAL SWITCHES

24/7 TECHNICAL SUPPORT AT 877.877.2269 OR VISIT BLACKBOX.COM



STEP 1 - Package Includes

WHAT'S INCLUDED

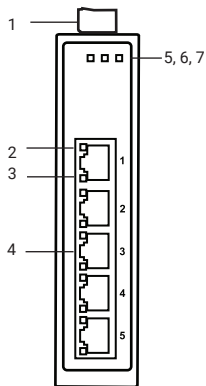
- (1) **LBH3050A OR LBG3080A INDUSTRIAL SWITCH**
- (2) **WALLMOUNTING BRACKETS WITH SCREWS**
- (1) **DIN RAIL MOUNTING BRACKET WITH SCREWS**
- **THIS QUICK START GUIDE**



STEP 2A - LBH3050A Hardware Overview

TABLE 1. LBH3050A COMPONENTS

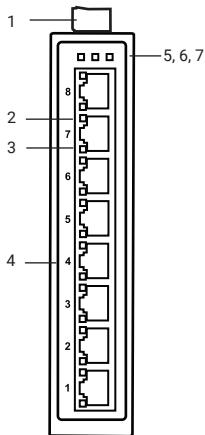
NUMBER	DESCRIPTION
1	6-pin terminal block for power
2	Link/Activity LED
3	Speed LED
4	(5) RJ-45 connectors
5	Power 1 LED
6	Power 2 LED
7	Power Fail LED



STEP 2B - LBH3080A Hardware Overview

TABLE 2. LBH3080A COMPONENTS

NUMBER	DESCRIPTION
1	6-pin terminal block for power
2	Link/Activity LED
3	Speed LED
4	(8) RJ-45 connectors
5	Power 1 LED
6	Power 2 LED
7	Power Fail LED

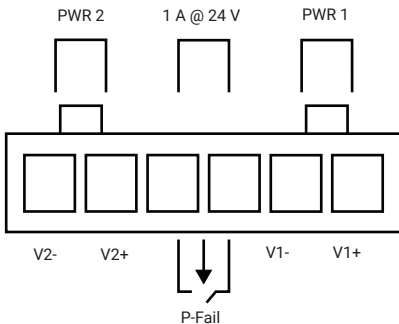


STEP 3 - Connect the Power

POWER CONNECTION STEPS

The LBH3050A and LBH3080A switches support dual +12 to 48 VDC power inputs and changes relay status when the power fails.

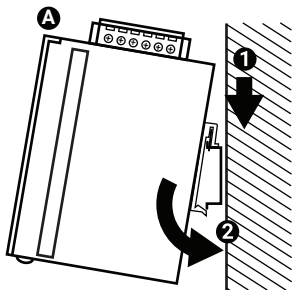
1. Insert the positive and negative wires into the V+ and V- contacts on the terminal block connector.
2. Tighten the wire clamp screws to prevent the DC wires from loosening.



STEP 4A - DIN Rail Mounting

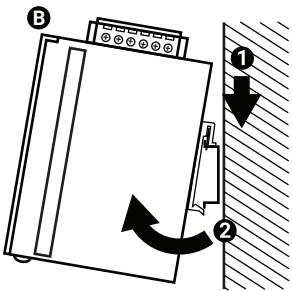
INSTALLING THE DIN RAIL KIT

Attach the DIN rail bracket to the DIN rail using the included screws. See Figure A.



REMOVING THE DIN RAIL KIT

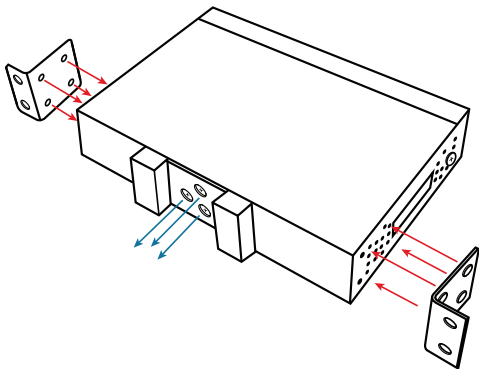
1. Remove the screws from the DIN rail.
 2. Lift the switch up and off from the DIN rail.
- See Figure B.



STEP 4B - Wallmounting

WALLMOUNTING STEPS

1. Using the included screws, attach the wallmount brackets to the switch.
2. With the brackets attached, hang the switch on the nails on the wall.



**NEED HELP?
LEAVE THE TECH TO US**

**LIVE 24/7
TECHNICAL
SUPPORT**

1.877.877.2269