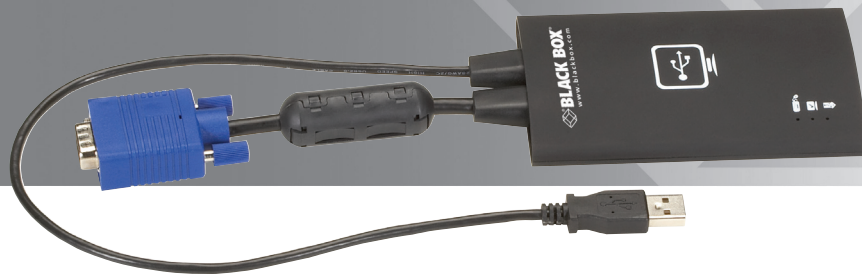


## USB Laptop Console Quick Start Guide

# Control any computer with USB ports and a VGA/DVI analog video output via your laptop.

A window on your laptop acts as the console.  
Works even if the server is in the BIOS or is damaged.



This quick start guide explains how to start using the USB Laptop Console. For more detailed information, refer to the User's Manual on the USB flash drive that you received with your unit.

### What's Included

Your package should include the following items. If anything is missing or damaged, contact Black Box at 724-746-5500.

- USB Laptop Console
- (1) 6-ft. (1.8-m) high-speed USB cable
- (1) PS/2 to USB adapter
- (1) flash drive containing video display software and user's manual in PDF format
- This printed Quick Start Guide

Turn this page over for Setup and Installation instructions...

### Customer Support Information

Order toll-free in the U.S.: Call 877-877-BBOX (outside U.S. call 724-746-5500)  
FREE technical support 24 hours a day, 7 days a week: Call 724-746-5500 or fax 724-746-0746  
Mailing address: Black Box Corporation, 1000 Park Drive, Lawrence, PA 15055-1018  
Web site: [www.blackbox.com](http://www.blackbox.com) • E-mail: [info@blackbox.com](mailto:info@blackbox.com)

## Trademarks Used in this Manual

Black Box and the Double Diamond logo are registered trademarks of BB Technologies, Inc.

Any other trademarks mentioned in this manual are acknowledged to be the property of the trademark owners.

## Setup and Installation

You must install the provided software to be able to use the USB Laptop Console. No changes are required on the server(s) it will control.

### Windows

NOTE: Before installing the software on Windows, disconnect the hardware and cancel any dialogs about "Add New Hardware Wizard." These dialogs can interfere with the installation process.

Run the setup.exe program on the CD-ROM or flash drive.

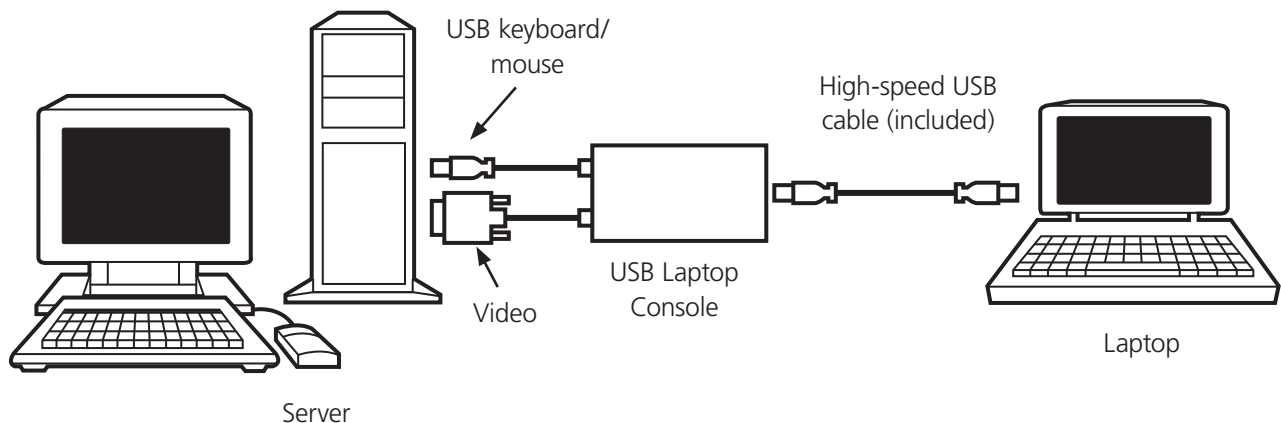
- The setup program will be extracted.
- Accept the software license.
- Choose a location where you want to install the software.
- Select a shortcut to add to the start menu. (NOTE: This is optional.)
- The program copies the files into place.
- An information dialog box reminds you to unplug/reconnect the adapter if it was already connected as shown below.
- Installing the application and drivers is complete.

### Mac OS X

NOTE: If you received a CD-ROM, insert the disk. If you received a flash drive, connect it now to a USB port.

- Double-click on the MacOSX-install.dmg file.
- Wait for verification and decompression of the disk image.
- A new finder window opens.
- Drag the USB Laptop Console icon onto the Applications folder icon.
- Eject the disk or flash drive.
- Drag the program icon from the Applications folder into the dock for quick access. (NOTE: This is optional.)

You can connect or disconnect the USB Laptop Console at any time. The software doesn't need to be started first, and you don't need to shut it down before unplugging the USB Laptop Console.



© Copyright 2010. Black Box Corporation. All rights reserved.

FREE, live, 24/7 Tech Support is just 20 seconds away.  
724-746-5500 | blackbox.com